

IM 730 TECHNICAL SHEET

APPLICATIONS

Disposable Medical mask with high filtration(Non-sterile)

AVANTAGES

No fiber glass, no latex

Easy breathing

Fits all morphologies thanks to its adjustable nasal strip

High degree of filtration



SIZE	DIMENSIONS	COLOR
Unique	A plat 90 mm × 175 mm	Inner side white External side blue

PRESENTATION

3 fold mask, Ultrasonic shaping

Soft Elastic earloops

MATERIAL CHARACTERISTICS

Non woven 3 layers

No fiber glass, no latex

MANUFACTURING MODE

Ultra sound welding

TECHNICAL CHARACTERISTICS

BFE(%) > 99%

PFE(%) > 85%

Delta P (Pa/cm²) < 42 Pa/cm²

CERTIFICATION

CE EN 14683: 2019 Type II R

Dispositif Médical DM de classe 1

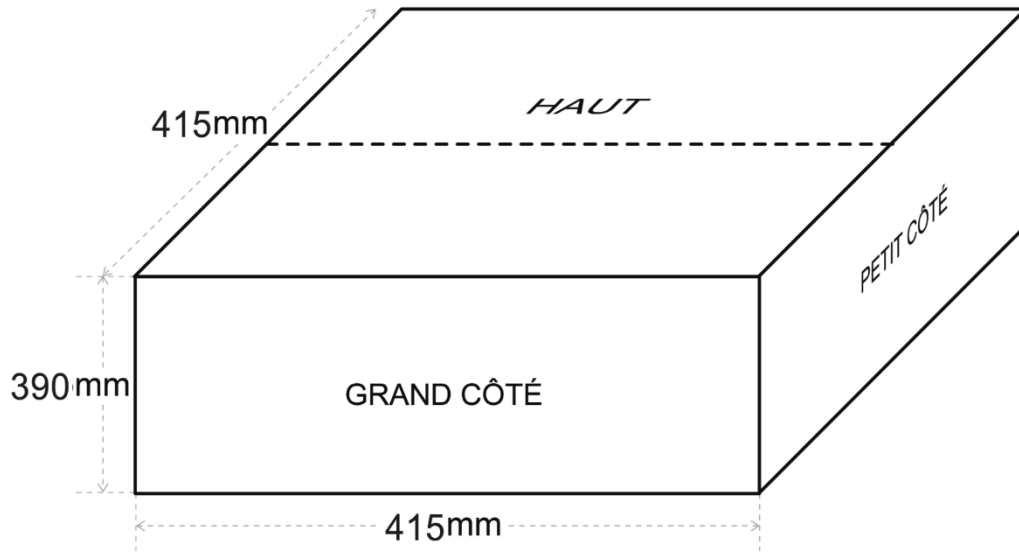
PACKING

40 BOXES WITH 50 MASKS IN PVC BAG

BOX DIMENSIONS



EXPORT CARTON



WEIGHT

8.5 Kgs Net / 9.1 Kgs Gross